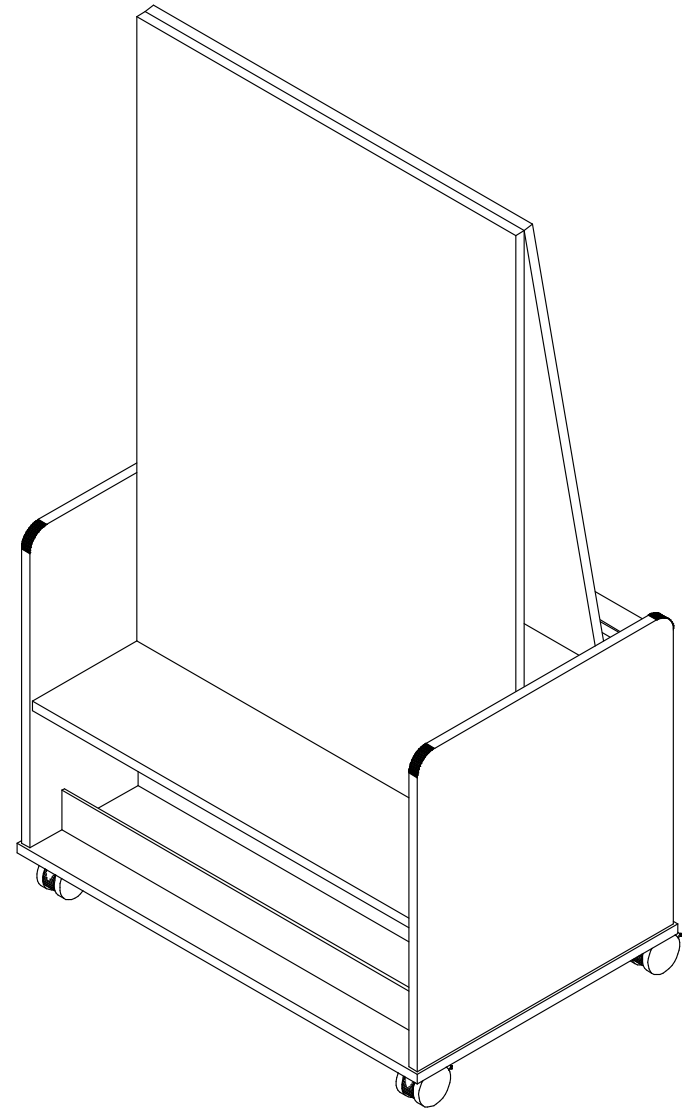


35 3/8" W x 63" H x 23" D



FLEETWOOD GROUP, INC.		<i>Furniture Division</i>	
11832 JAMES ST., HOLLAND, MI. P.O. BOX 1259 49422-1259		PHONE (616) 396-1142	FAX (616) 396-8022
DESIGN FOR:		MODEL NO.	
		22647 - 97A	
TITLE:			
Literacy Cart			
DRAWN BY:	DWG. NO.	SCALE:	DATE:
CD		1:12	02/01/06