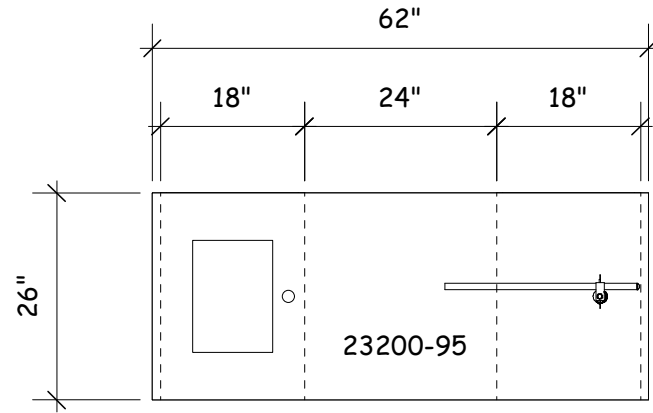


Isometric View



Top View

*Revised:*

FLEETWOOD GROUP, INC. Furniture Division  
 11832 JAMES ST., HOLLAND, MI. P.O. BOX 1259 49422-1259 PHONE (616) 396-1142 FAX (616) 396-8022

DESIGN FOR:

MODEL NO.  
23200-96

TITLE:

Instructor's Desk

DRAWN BY:

CD

DWG. NO.

SCALE:

1:24

DATE:

09/25/07