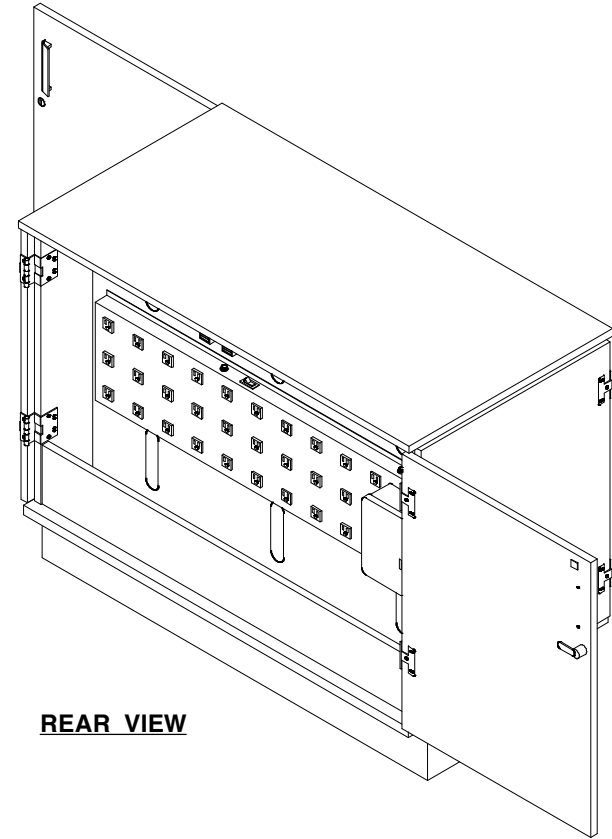


FRONT VIEW



REAR VIEW

- STORAGE & CHARGING CAPACITY (30 LAPTOPS)
- 270° OVERLAY HINGED LOCKING DOORS
- STORAGE FOR INLINE CHARGERS
- (2) 15 AMP RESETTABLE SWITCH
- 14 GAUGE POWER SUPPLY CORD
- MECHANICAL TIME SWITCH

- NOTE: ONLY 15 LAPTOPS CAN BE CHARGED AT A TIME

46"W x 36"H x 24"D

FLEETWOOD GROUP, INC.		<i>Furniture Division</i>	
11832 JAMES ST., HOLLAND, MI. P.O. BOX 1259 49422-1259 PHONE (616) 396-1142 FAX (616) 396-8022			
DESIGN FOR:		MODEL NO.	
		28.2201-23266	
TITLE:			
Laptop Storage w/ 30 Outlet Power Bank			
DRAWN BY:	DWG. NO.	SCALE:	DATE:
CD		1:16	12/14/07