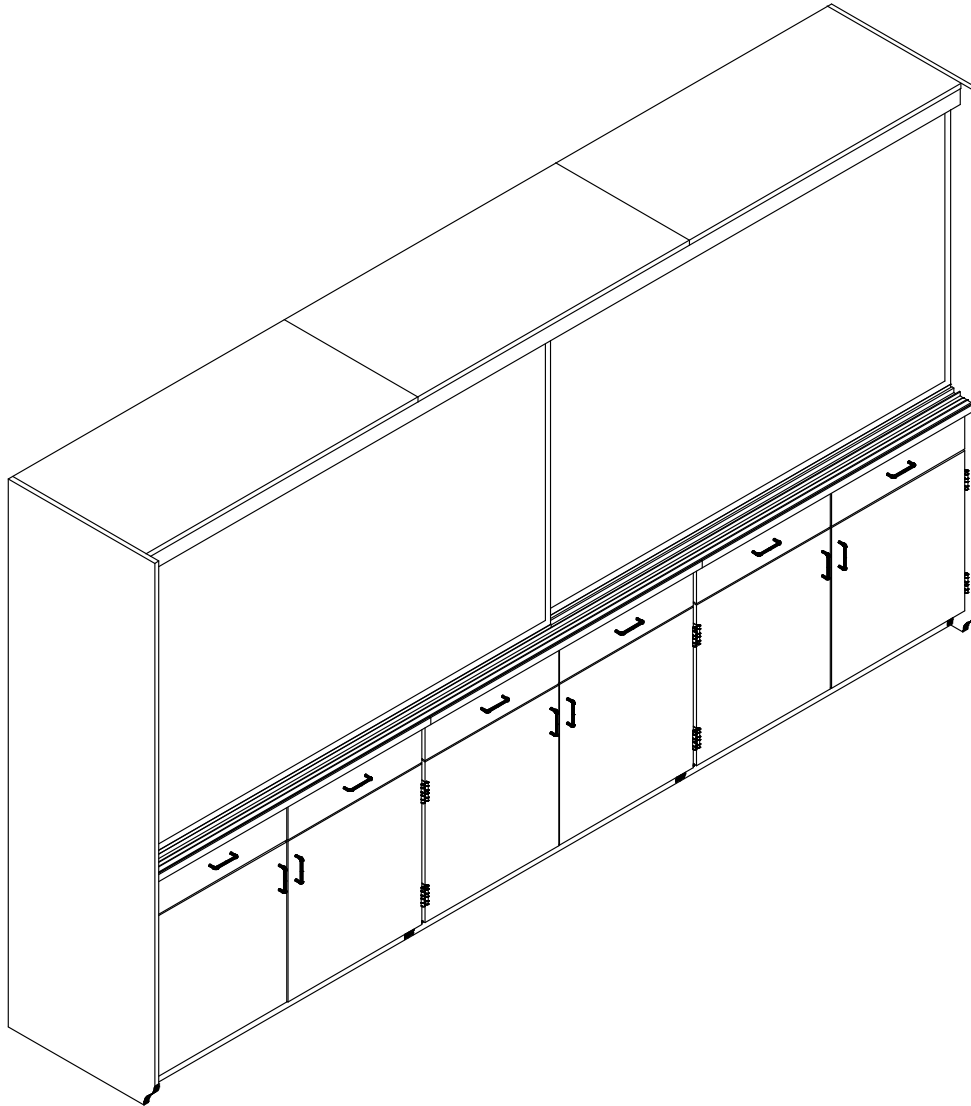


Option #2

Model No	Qty	Model Description
65.3372.12	1	144"W x 48"H x 6"D 3 Track / 3 Board Sliding Markerboard
76500.889	3	48"W x 48"H x 18"D Hutch Addition w/ 4 Adj Shelves
76623.864	3	48"W x 36"H x 26"D Base Shelf / Drawer Cabinet
76800.047	1	3/4"W x 84"H x 27"D Finishing End Panel (1 Pair)



**144"W x 84"H x 27"D**

<b>FLEETWOOD GROUP, INC.</b>		<b>Furniture Division</b>	
11832 JAMES ST., HOLLAND, MI. P.O. BOX 1259 49422-1259		PHONE (616) 396-1142 FAX (616) 396-8022	
<b>DESIGN FOR:</b>		<b>MODEL NO.</b>	
<b>TITLE:</b>		Learning Wall	
<b>DRAWN BY:</b>	<b>DWG. NO.</b>	<b>SCALE:</b>	<b>DATE:</b>
CD		1:24	03/02/08