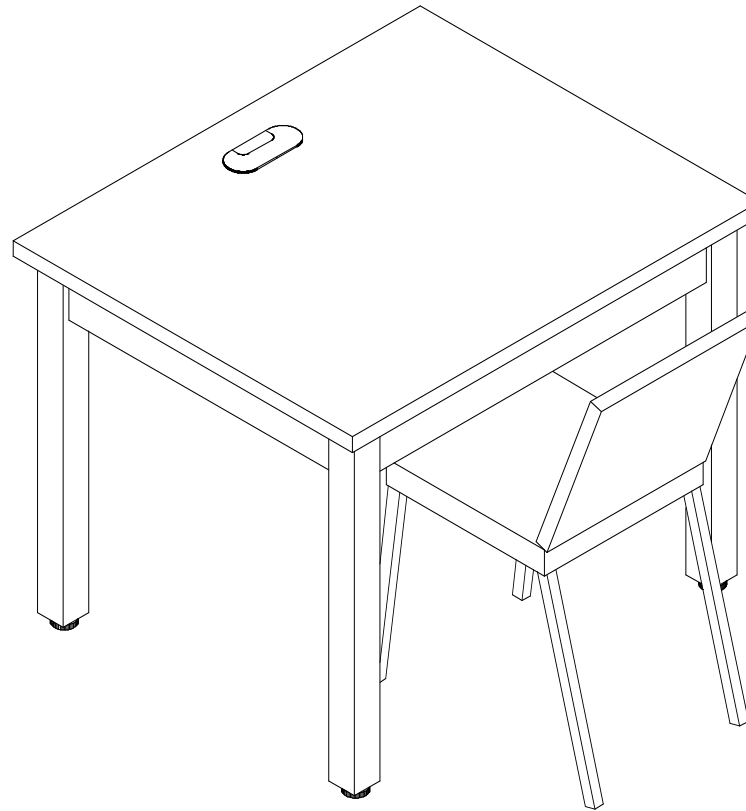


- Wire Management Tray
- 1 Grommet



SIZE: 36"W x 29"H x 30"D

FLEETWOOD GROUP, INC. *Furniture Division*
11832 JAMES ST., HOLLAND, MI. P.O. BOX 1259 49422-1259 PHONE (616) 396-1142 FAX (616) 396-8022

DESCRIPTION:

Rectangular Study Table

DWG. NO.

3D000684