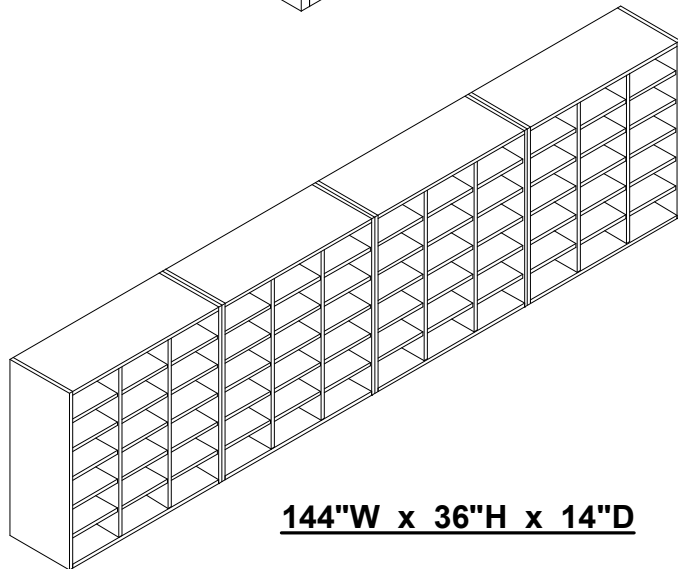
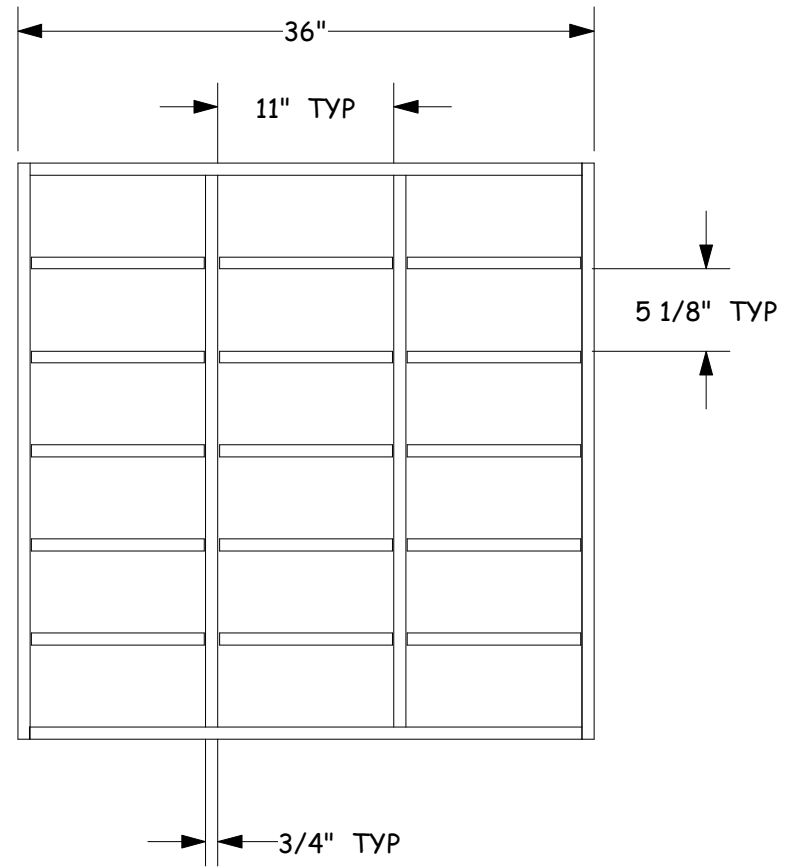


36\"/>



144\"/>

FLEETWOOD GROUP, INC.		Furniture Division	
11832 JAMES ST., HOLLAND, MI. P.O. BOX 1259 49422-1259		PHONE (616) 396-1142 FAX (616) 396-8022	
DESIGN FOR:		MODEL NO.	
		61065-99	
TITLE:		Mailbox Units	
DRAWN BY:	DWG. NO.	SCALE:	DATE:
CD		1:12	09/05/06