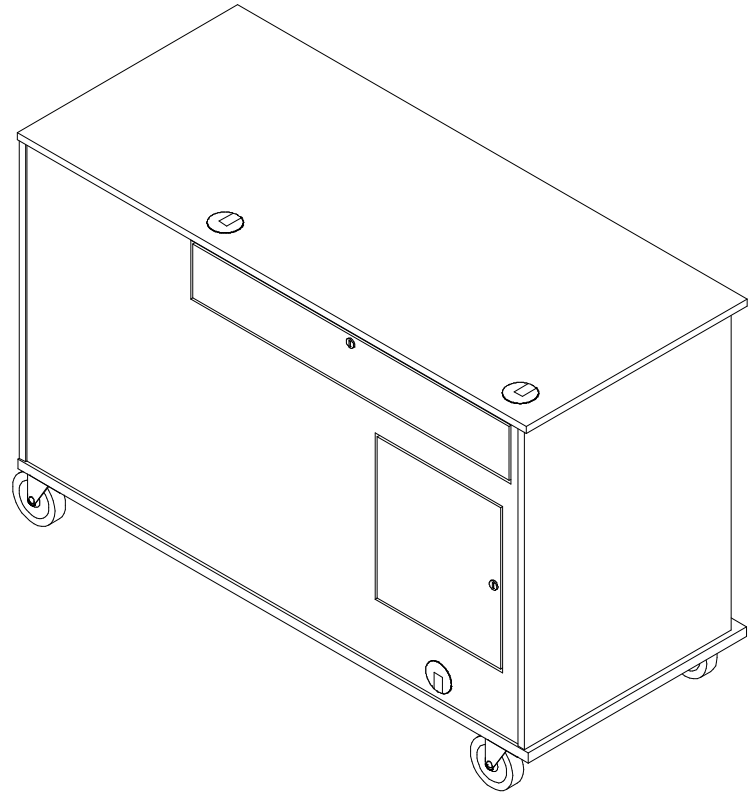


Shown With Optional Drawer



60"W x 40"H x 26"D

FLEETWOOD GROUP, INC. Furniture Division
 11832 JAMES ST., HOLLAND, MI. P.O. BOX 1259 49422-1259 PHONE (616) 396-1142 FAX (616) 396-8022

DESIGN FOR:

MODEL NO.
72975-99

TITLE: Rehearsal Resource Center (LH)

DRAWN BY:

DWG. NO.

SCALE:

DATE:

CD

1:16

12/06/05