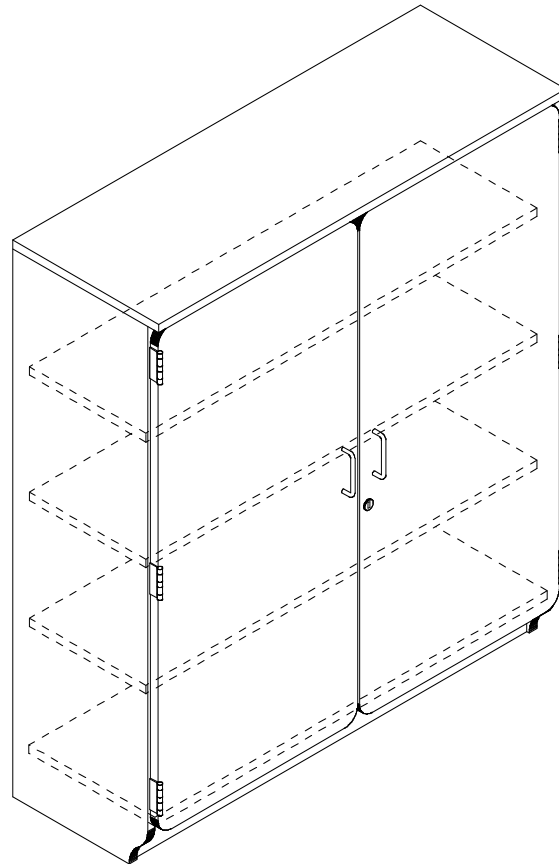


- 10 1/2" Of Clearance Between Shelves  
- 12"D Shelves



**42"W x 50"H x 15"D**

<b>FLEETWOOD GROUP, INC.</b> <i>Furniture Division</i>	
11832 JAMES ST., HOLLAND, MI. P.O. BOX 1259 49422-1259 PHONE (616) 396-1142 FAX (616) 396-8022	
<b>DESCRIPTION:</b> Locking Media Storage Cabinet	<b>DWG. NO.</b> 77054-51074