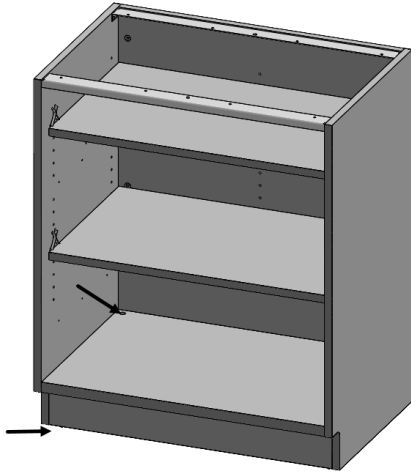


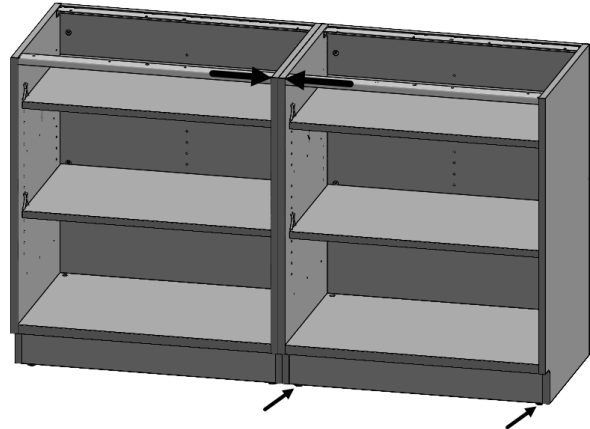
# Illusions 2.0 General Cabinet Instructions

950620-INST  
Rev. A

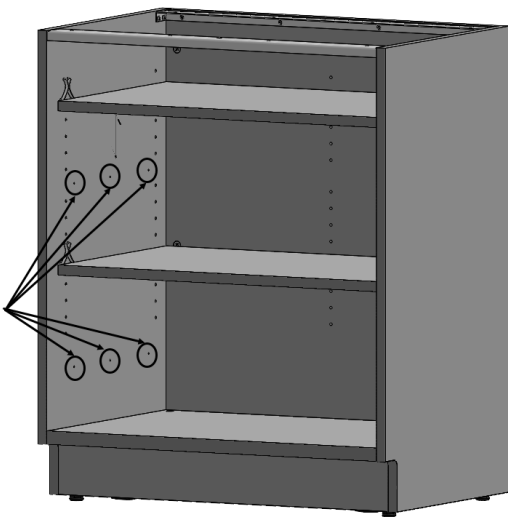
1. Tilt cabinet and use Phillips drive to extend front levelers far enough down that hex feature is accessible with a wrench. Slide cabinet into position. Use a 7/8" flat wrench for final adjustments. Use 1/4" socket wrench with extension via back access holes to adjust back levelers.



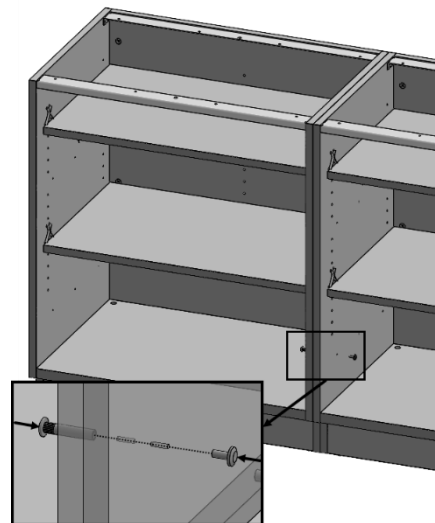
2. Extend front levelers on all additional cabinets and slide into position next to first cabinet. Using clamps, align tops of end panels. Adjust levelers as needed. If your cabinet has doors or drawers, it may help to remove these at this time. Be sure to track the position of each door and drawer so you can return it to its original location.



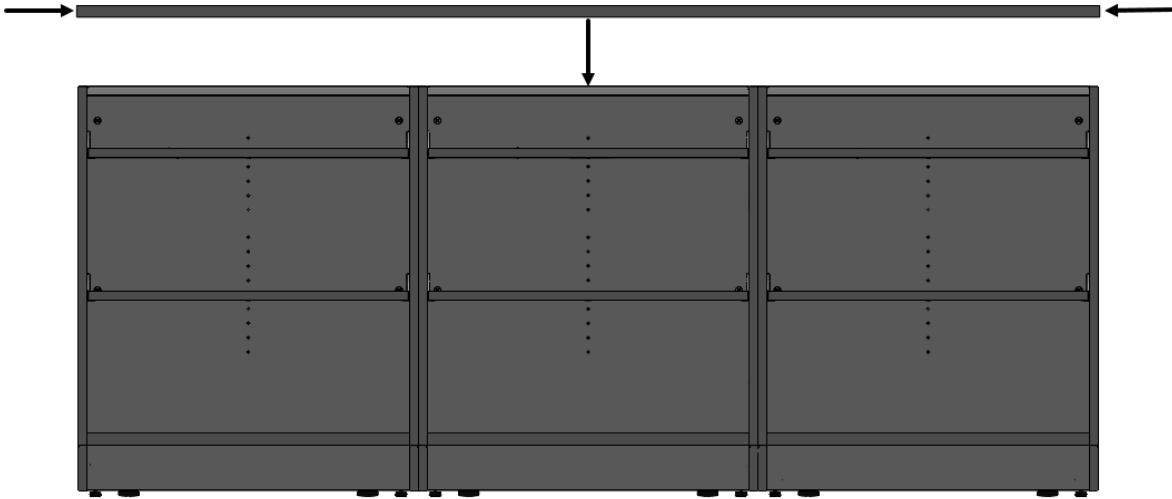
3. Use a 5/16" bit to drill through (4) partially predrilled pilot holes.



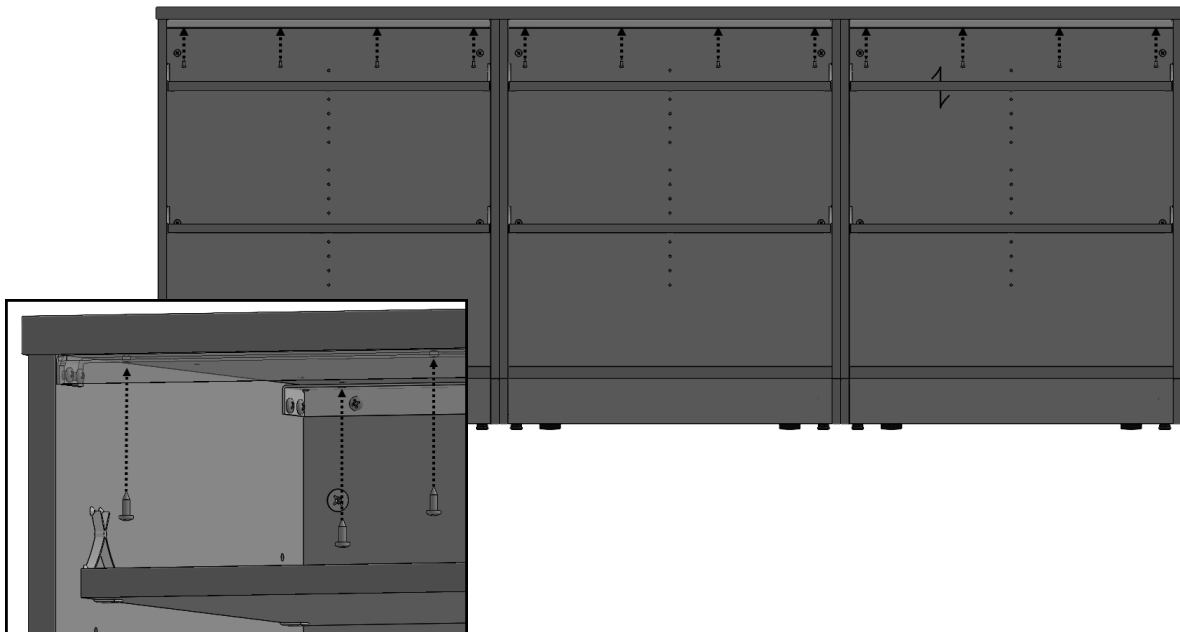
4. Install (4) connector bolts using a Phillips screwdriver to tighten as needed.



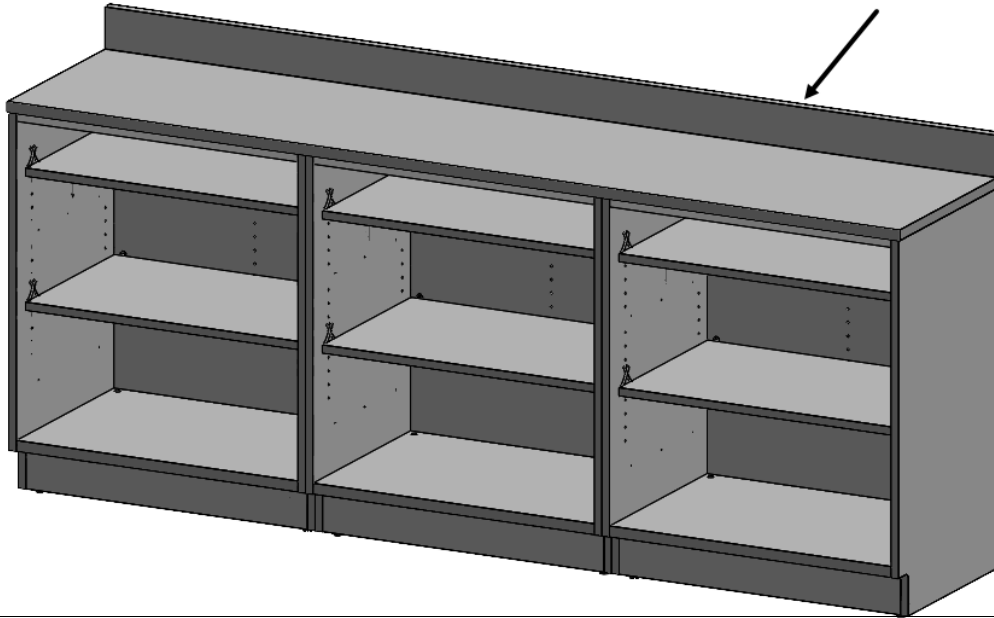
5. If cabinet has a spanning top, center it on the base cabinets so the overhang is equal on each side.



6. Using a 1/8" drill bit, predrill holes 1/2" deep to align with metal spanner holes in as many places as possible with minimum of (4) per cabinet. Use #10 x 0.625" screws to fasten top to base cabinets.



7. If cabinet has a spanning backsplash, align it to the top and attach it to the wall with silicone adhesive.



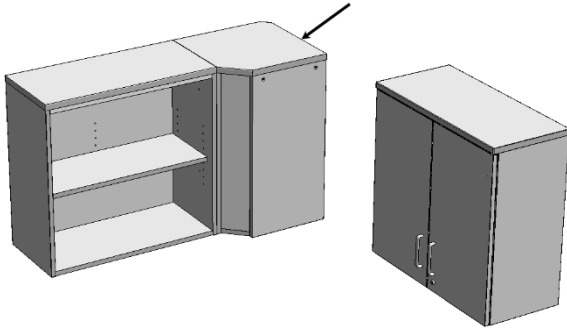
8. All cabinets 18" wide or narrower must be attached to an adjacent cabinet.  
9. All cabinets taller than 68" should be attached to the wall per local codes and regulations.

For questions please call us at (616) 396-1142

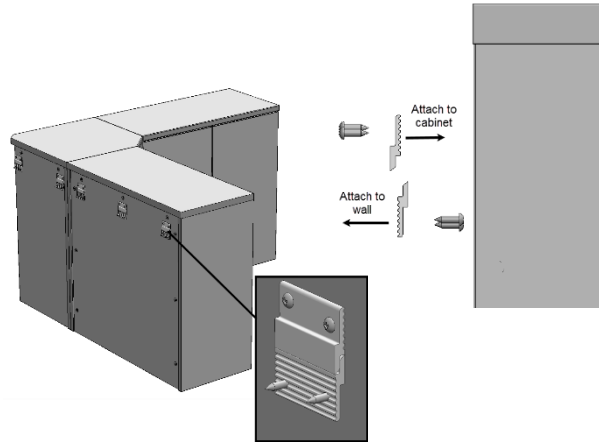
# Illusions 2.0 Wall Hung Cabinets Instructions

949900-INST  
Rev. A

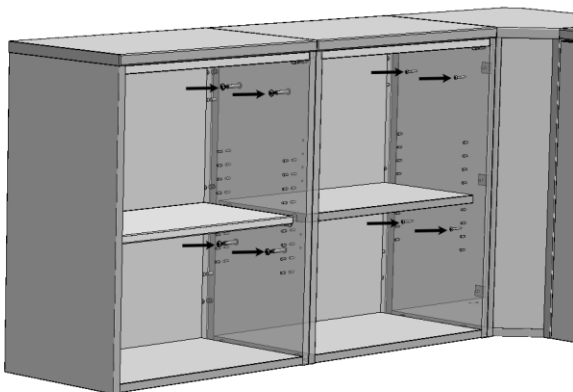
- 1.** Place cabinets into position. If a corner cabinet is included in the layout, it should be installed first. Gather included brackets and screws.



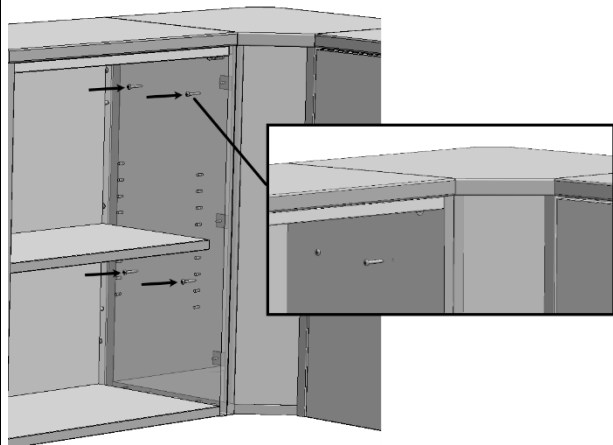
- 2.** Attach brackets into wall studs using the included screws, and hang cabinets on brackets. Next, attach each cabinet to the wall with at least one screw to prevent dislodging. If the included brackets will not work with building construction, use another approved hanging method to mount cabinets securely to the wall per local codes and regulations.



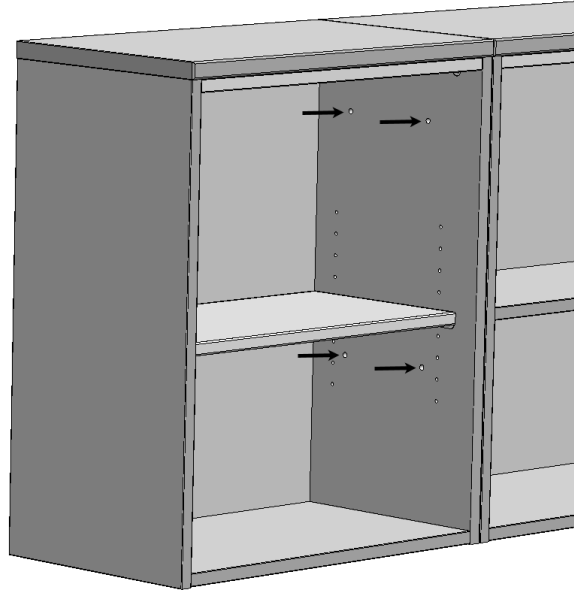
- 3.** All hanging cabinets are required to be connected at the end panels. (8) #10 x 1.25" wood screws are included for each corner cabinet. All other cabinets include (4) connector bolts per end panel.



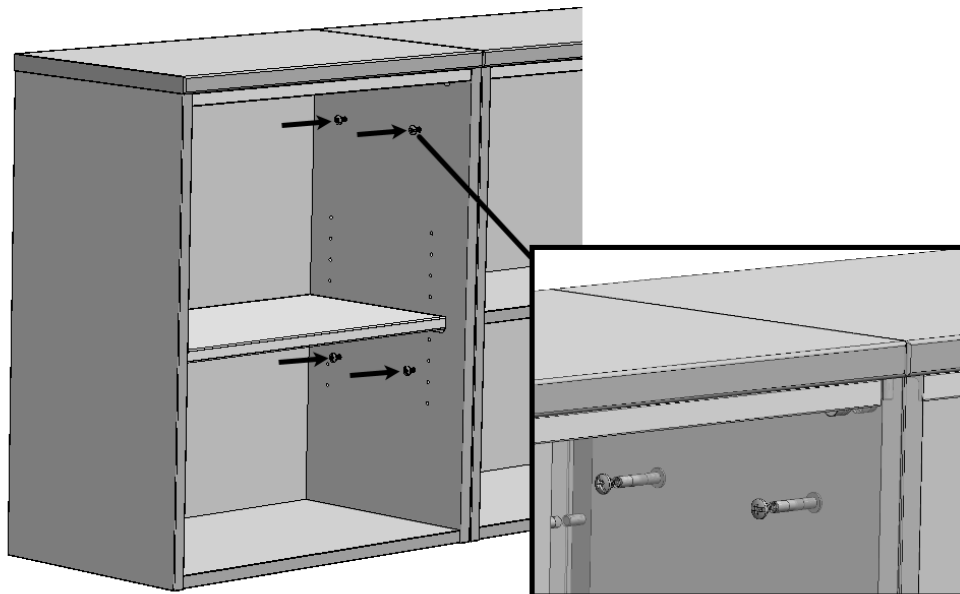
- 4.** For corner cabinets, drill through partially predrilled holes into corner end panels. Install (4) #10 X 1.25" wood screws through holes into each adjoining cabinet end panel (8 total.)



5. For all other cabinets, use a 5/16" drill bit to drill out holes for connector bolts at provided partially predrilled holes. There are (4) per end panel.



6. Place connector bolt through drilled holes. Use a Philips screwdriver to tighten as needed. Repeat for the remaining attachment points.

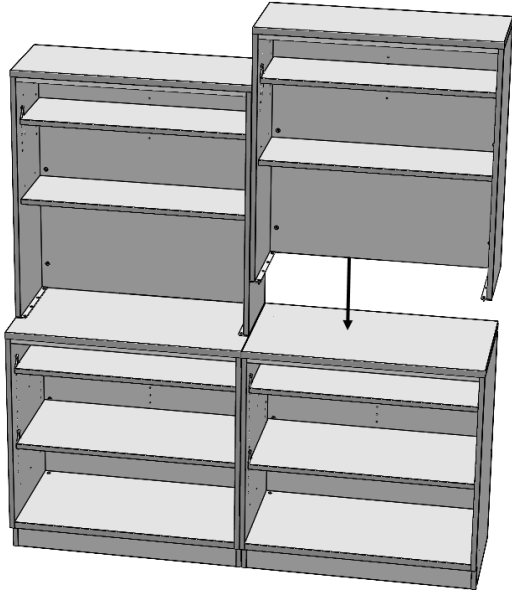


For questions please call us at (616) 396-1142

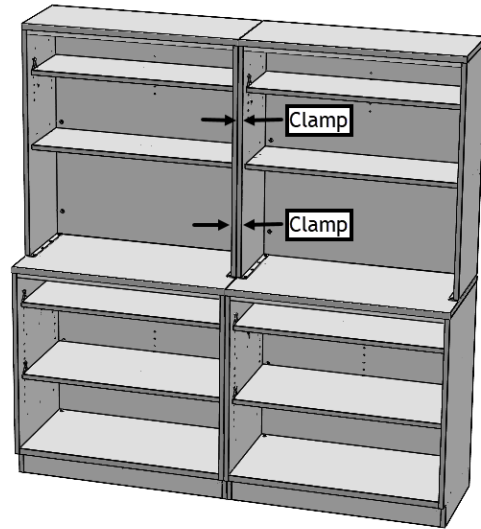
# Illusions 2.0 Hutch Instructions

950780-INST  
Rev. A

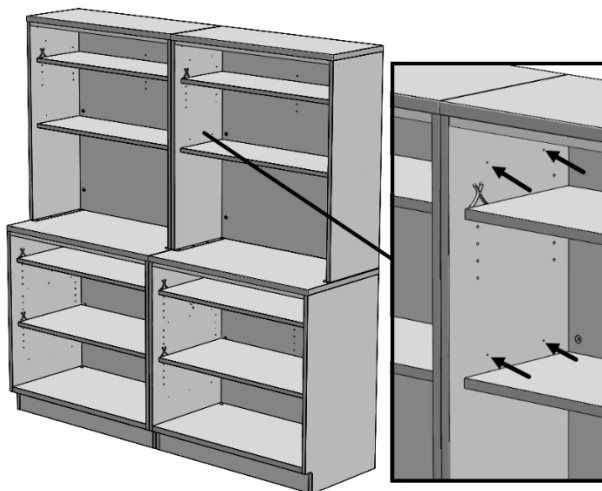
- 1.** Place each hutch into position on top of leveled base cabinets.



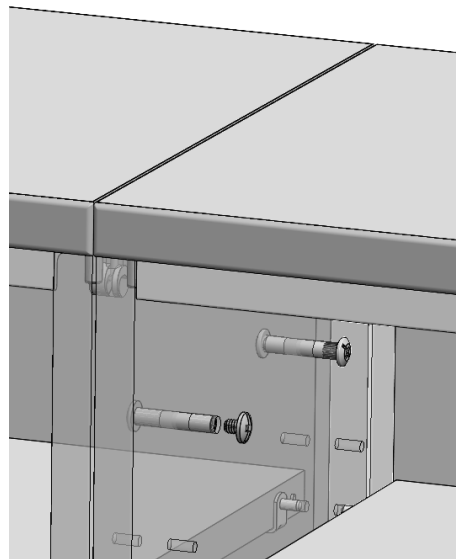
- 2.** Align hutches and then clamp them together to keep them in position for the remaining steps.



- 3.** Locate partially predrilled holes on end panels. Use a 5/16" drill bit to drill (4) holes through end panels of hutches to be joined.



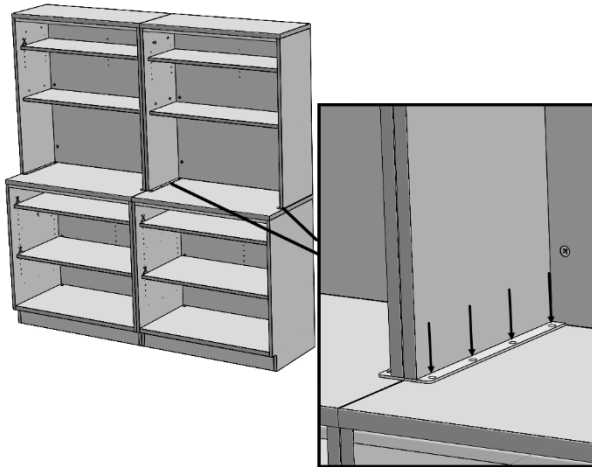
- 4.** Insert supplied connector bolts through drilled holes to connect hutches.



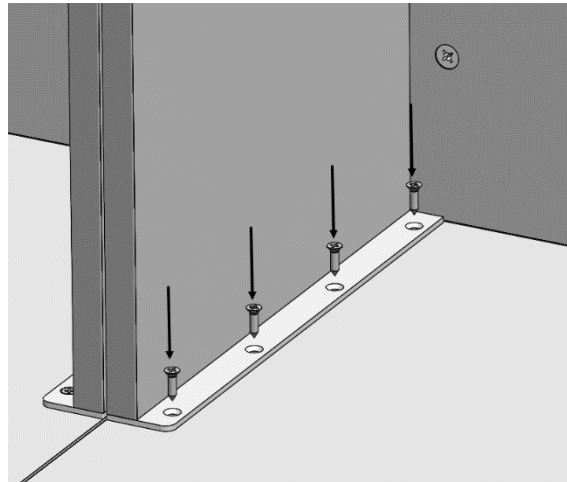
# Illusions 2.0 Hutch Instructions

950780-INST  
Rev. A

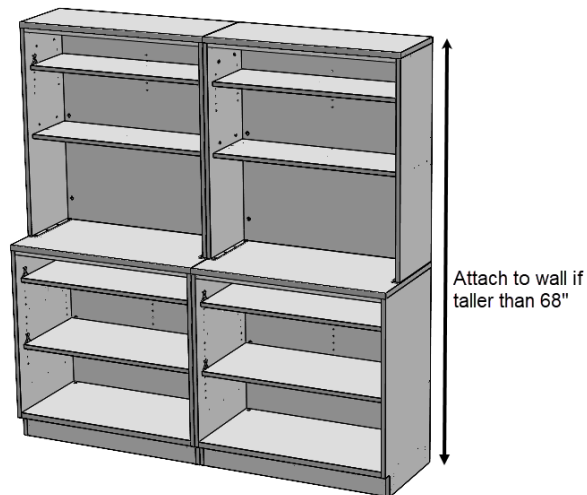
5. With hutches in position, use a 9/64" drill bit to drill into the base cabinet top through the holes in the hutch plates.



6. Attach hutches to base cabinets using (8) #10 x .750" flathead wood screws. Tighten to a torque of 30-35 in lbs.



7. If finished height of hutch is above 68" high, attach to wall per local codes and regulations.

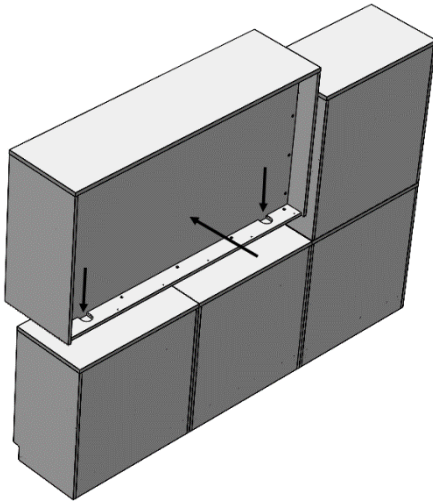


For questions please call us at (616) 396-1142

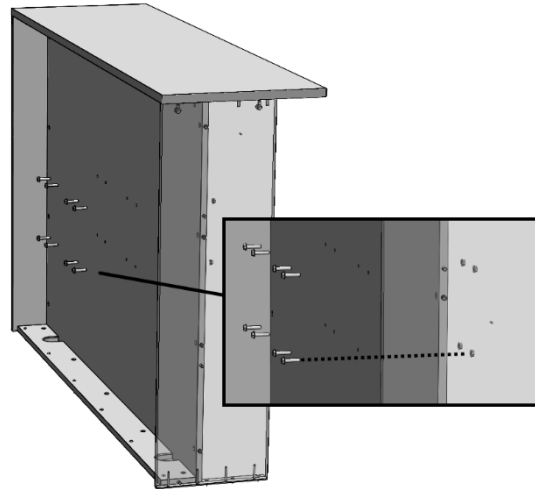
# Illusions 2.0 Monitor Hutch Instructions

951570-INST  
Rev. A

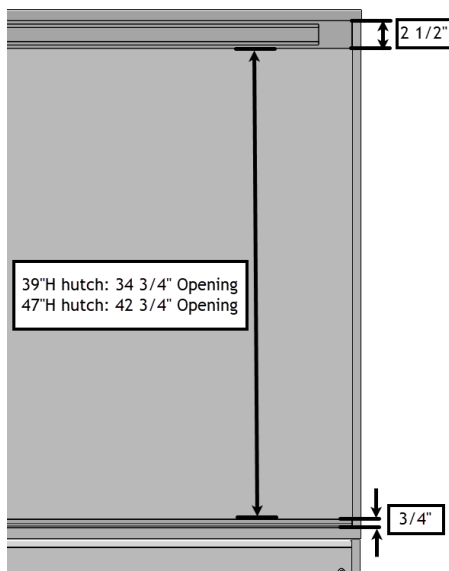
- 1.** There are two holes in the bottom panel of the monitor hutch for routing cords into the back cavity. Locate and cut holes into the base cabinets for wire management if needed.



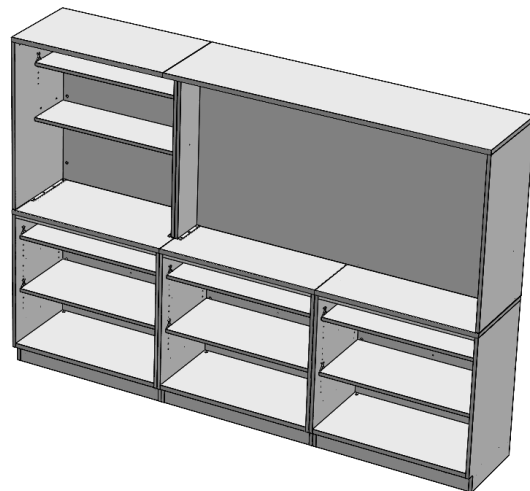
- 2.** We recommend installing monitor mount (not included) to the monitor hutch before installing on base cabinets. When installing monitor mount, we advise using bolts and nuts through the hutch back.



- 3.** Note that if sliding markerboards will be added, this will affect the opening size. See dimension below.



- 4.** Place all hutches on base cabinets and align.

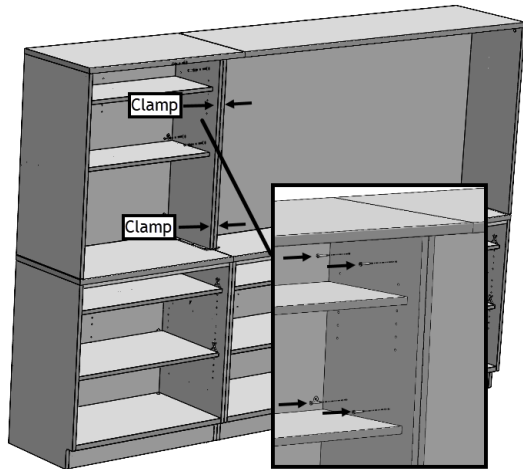




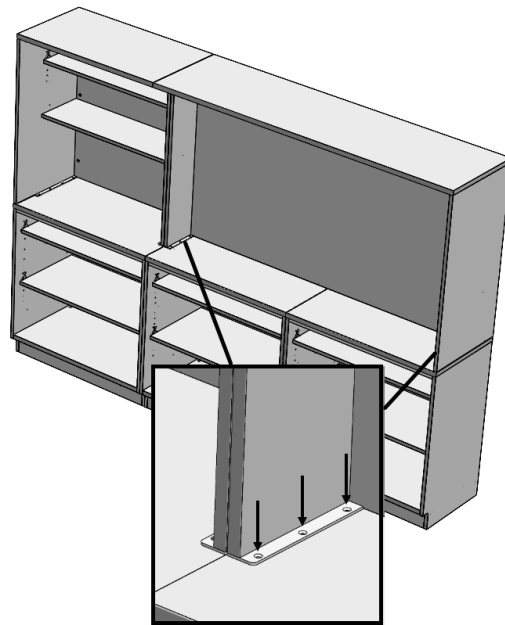
# Illusions 2.0 Monitor Hutch Instructions

951570-INST  
Rev. A

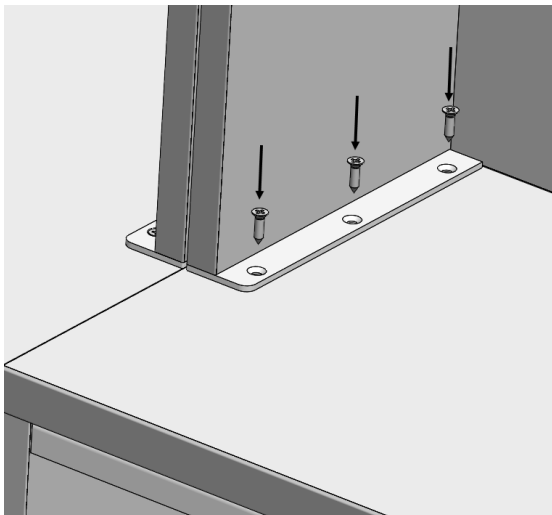
5. If monitor hutch is in a run with other hutches, clamp end panels to eliminate gaps between tops. Use the (4) #10 x 1.25 pan head wood screws to attach monitor hutch to adjacent cabinets through provided predrilled holes.



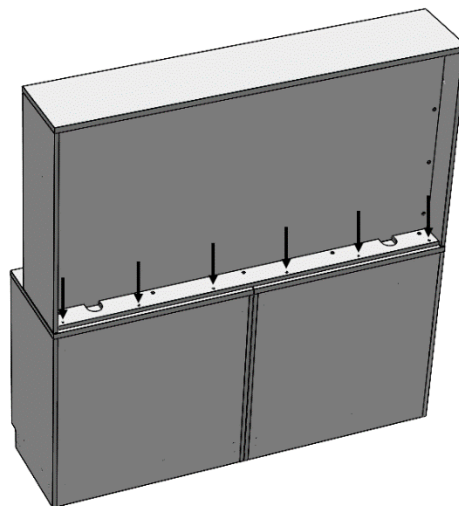
6. Use a 9/64" drill bit to predrill .5" deep holes into the base cabinet top, using the mounting plates as a guide.



7. Attach the hutch to the base cabinet using (6) #10 x .750" flathead wood screws. Tighten to a torque of 30-35 in lbs.



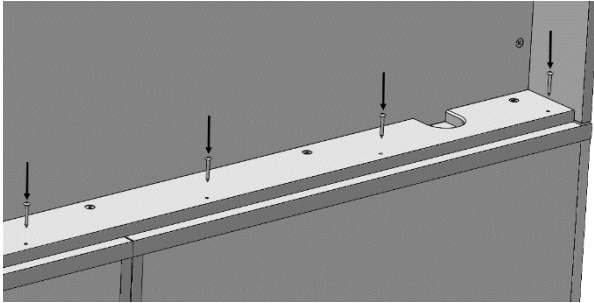
8. If monitor hutch is not attached to other hutches, additional screws need to be used to attach backside of hutch to base cabinet. Use a 9/64" drill bit to drill holes into the base cabinet through the holes in the hutch.



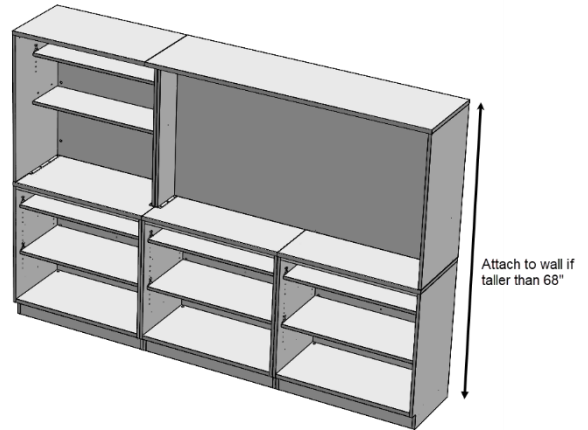
# Illusions 2.0 Monitor Hutch Instructions

951570-INST  
Rev. A

- 9.** Attach hutch to base cabinet using #10 x 1.5" Truss Head screws through predilled holes. Tighten to a torque of 30-35 in-lbs.



- 10.** If finished height of hutch is above 68" high, attach to wall per local codes and regulations.

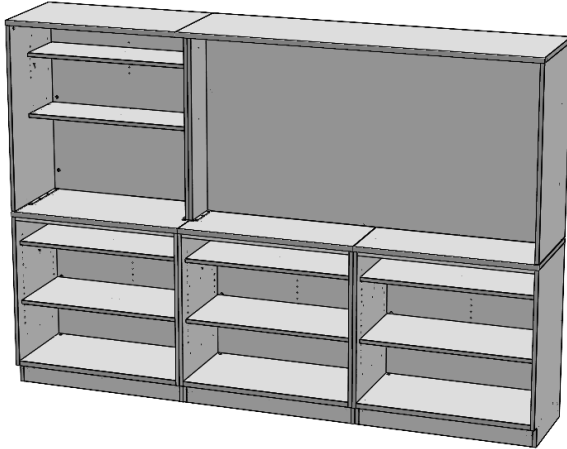


For questions please call us at (616) 396-1142

# Illusions 2.0 Sliding Markerboard Instructions

740430-INST  
Rev. A

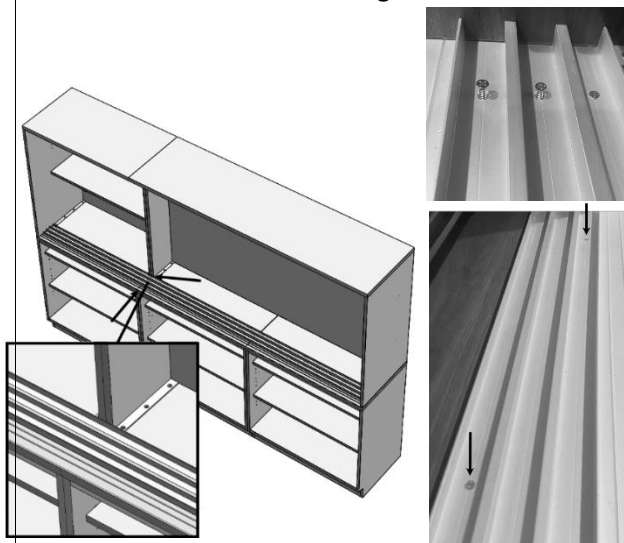
- 1.** Follow General Cabinet, Hutch, and Monitor Hutch Installation instructions to install cabinets before proceeding.



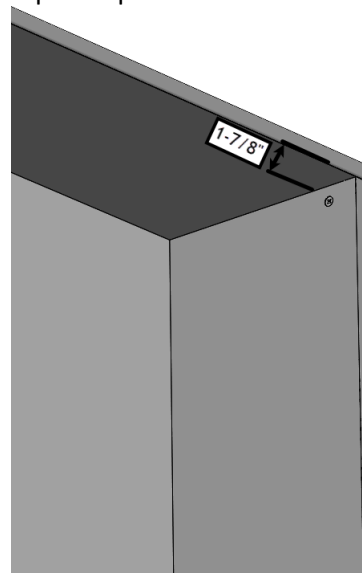
- 2.** Locate Sliding Markerboard Kits. The following items are included

- a. Bottom track rail with marker tray
- b. Top track rail with integrated map rail
- c. Markerboard Panels
- d. (2) Map Rail End Caps and (2) self-drilling screws
- e. (2) Map hooks
- f. Carriers with rollers, (2) per Markerboard Panel
- g. (6) Rubber Bumpers and (6) #8 X .625" flathead screws for attachment
- h. #8 X 0.625" Pan Head Screws for mounting Top Track
- i. #8 X 0.625" flat head screws for mounting bottom track

- 3.** Place bottom track rail onto base cabinet top and slide back against the hutch end panels. Using a 1/8" drill bit, predrill holes .5" deep in every hole in bottom rail. Attach rail to base cabinet top with included #8 X 0.625" flat head screws for mounting bottom track



- 4.** Before starting to attach top track rail, measure 1-7/8" from front of hutch top and mark this location on underside of hutch top on each end of markerboard run. You will line the top rail up with these marks.



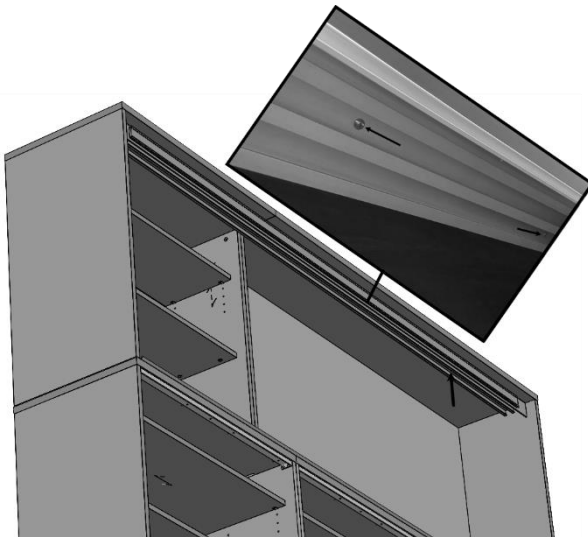
- 5.** Before starting to attach top rail, slide carriers with rollers into each of the 3 tracks per the configuration chosen. Each markerboard requires (2) carriers with rollers. Ensure opening in notch is facing inward.



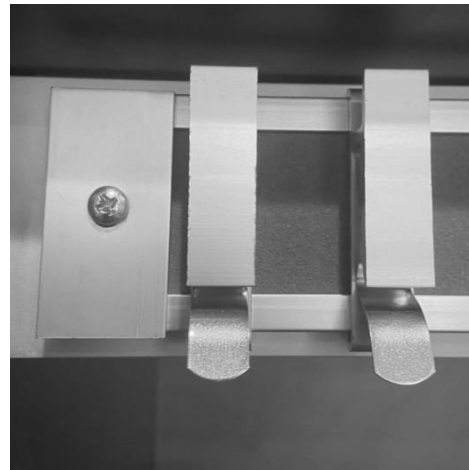
- 6.** This step will require 2-3 people. Hold up top rail to the underside of the hutch tops with the map rail facing out. Align the main front face of the rail with the marks you made in step 4.



- 7.** Using a 1/8" drill bit, predrill holes .5" deep in every hole in top rail. Attach rail to hutch top with included #8 X 0.625" pan screws for top rail track.



- 8.** Slide map hooks onto map rail and attach end caps with included self-drilling screws.



9. Hang markerboard panels from rollers by first angling top of markerboard inside of hutch and setting bottom markerboard into the appropriate bottom track. Align appropriate rollers and notches with the posts on the markerboard frames and engage together. The nuts on the carriers may need to be adjusted to allow for this. After markerboard is hanging, tighten nuts to carrier to prevent accidental dislodging.



10. Each end panel will require (3) bumpers – one to align with each of the (3) markerboards. Install bumpers in line with the markerboard about 3 inches up from the bottom rail using #8 x .750" flathead screws. **CAUTION: Do not overtighten screws, as bumpers will compress, and screws will go through the other side of end panel.**

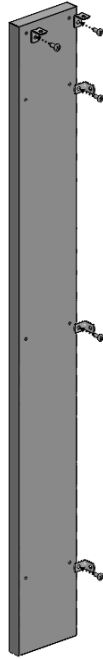


For questions please call us at (616) 396-1142

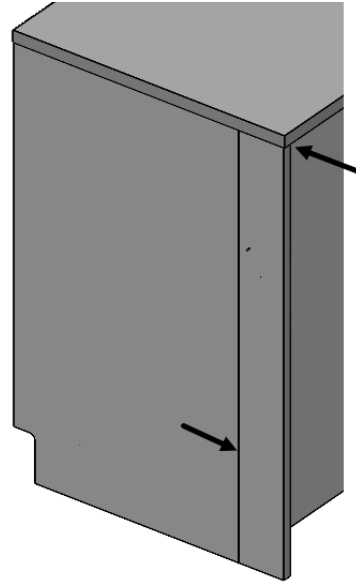
# Illusions 2.0 Side Filler Instructions

950580-INST  
Rev. A

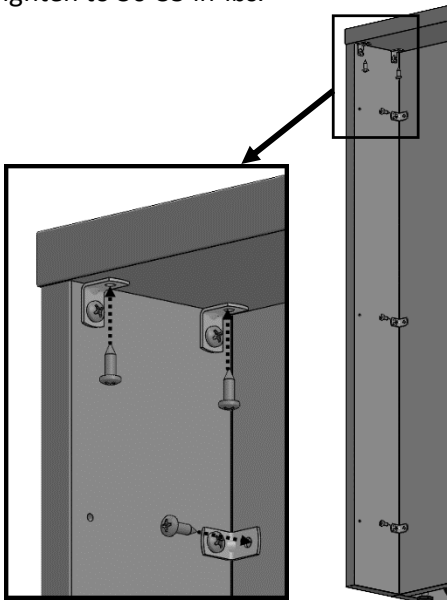
- 1.** Fasten brackets onto filler piece with #10 x 0.625" screws. Pilot holes provided. Tighten to 30-35 in-lbs.



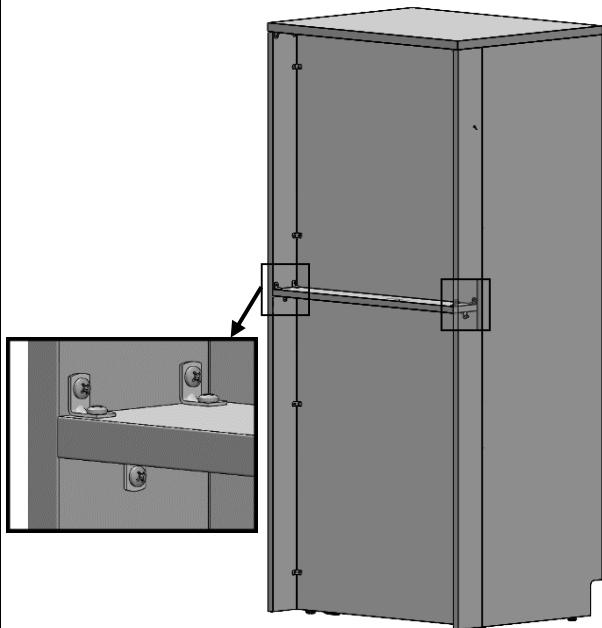
- 2.** Align outside of filler to outside of cabinet. Align top of filler to underside of cabinet top.



- 3.** Using 1/8" drill bit, pre-drill 1/2" deep holes in cabinet to align with filler brackets. Fasten filler in place with #10 x 0.625" screws. Tighten to 30-35 in-lbs.



- 4.** If filler is 68" or taller, install additional horizontal brace using (6) brackets and screws where pilot holes have been provided.



For questions please call us at (616) 396-1142